



crealco

CLIP 44

Hinged Door



A product of

WISPECO
Aluminium



The Crealco Clip 44 Suite is the most extensive and versatile shopfront system from Wispeco. The system not only allows for various options on sliding, hinged or pivot doors, but also automated doors. Windows with multi-locking points are available to suit both domestic and commercial developments. With the wide range of available profiles, the Clip 44 can meet most requirements and is thermally efficient and weather proof.

FEATURES

- Comprehensive range of configurations available for both flush glazing and conventional shopfronts
- Accommodates both hinged and sliding doors, as well as a wide range of different window types
- Louvres, insect screens and safety bars can be incorporated into the system
- Detailed documentation for manufacturing and maintenance available

GLAZING

- Allows for easy replacement of a profile or glass panel
- Accommodates single glazing panels from 4 mm to 12.38 mm and double glazing SIG units up to 25 mm

GASKETS & SEALS

- Specially designed high quality colour coded gaskets for ease of glass installation
- Unique push in gaskets ensures ease of manufacturing and replacement of old gaskets

FINISH

- Available in a variety of popular architectural powder coating colour and finishes

HARDWARE

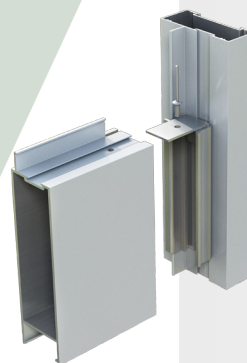
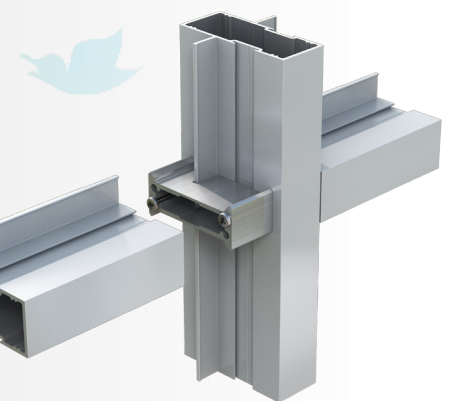
- A wide range of high quality hardware is locally available
- Crealco components are well priced and tested for the South African market
- The Clip 44 is versatile and suits most locks and handles

This brochure must be read in conjunction with the Installation, Cleaning & Maintenance Guidelines for the relevant system. The manuals must also be used in conjunction with the design and cutting lists from the latest version of Starfront.



TYPICAL CONFIGURATIONS

The Clip 44 system offers various threshold solutions to ensure doors are weather proof.



Pre-machined and pre-cut frame spigots are available - improving the consistency & accuracy of the assembly of shopfronts.

This brochure must be read in conjunction with the Installation, Cleaning & Maintenance Guidelines for the relevant system. The manuals must also be used in conjunction with the design and cutting lists from the latest version of Starfront.






SPECIFICATIONS

THERMAL INFORMATION	
DESCRIPTION	RESULTS
U-VALUE	5.73 W/M ² K
SHGC	0.33
DESIGN WINDLOAD	2000 PA
6.38 mm LAMINATED SAFETY GLASS	

TEST PERFORMANCE RESULTS	
DESCRIPTION	RESULTS
NEGATIVE PRESSURE	1500 PA
POSITIVE PRESSURE	1500 PA
WATER PENETRATION	300 PA
STRUCTURAL	2250 PA

APPLICATIONS

CREALCO	 HOME	 MANSION	 MALL	 TOWER
casement windows				
700 sliding door	✓	✓		
Rouge sliding door	✓	✓		
Palace high performance sliding door		✓	✓	✓
4500 sliding door		✓		
Clip 44 hinged door	✓	✓	✓	
Clip 44 internal sliding door		✓	✓	
Vistafold sliding folding door		✓	✓	
5000 top hung sliding folding door		✓		✓

Crealco product range is available from the following Wispeco Appointed Stockists



This brochure must be read in conjunction with the Installation, Cleaning & Maintenance Guidelines for the relevant system. The manuals must also be used in conjunction with the design and cutting lists from the latest version of Starfront.